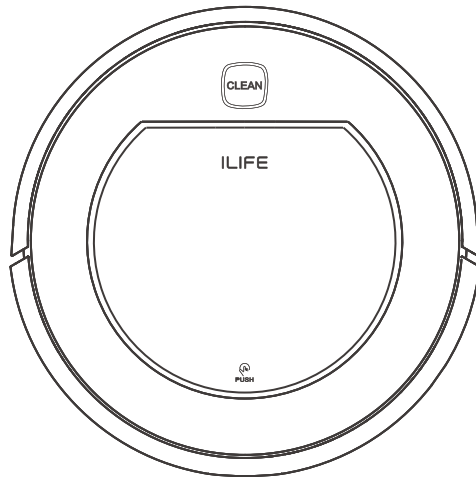


ILIFE

# User Manual

Robotic vacuum cleaner

Model: V7s Plus





Dear Customer,

Thank you for purchasing ILIFE V7s Plus robotic vacuum cleaner!  
You've joined the millions of people who clean with robots - the smarter way to get it done.

Please take a few moments to read this manual and get acquainted with your robot, to get the best performance from your robot. If you have any problem, please contact our customer service or visit our website at [www.iliferobot.com](http://www.iliferobot.com) for more information.

Stay connected with us on Facebook and twitter to enjoy these exclusive benefits:

- Get support tailored to your specific robot, including answers to questions, maintenance tips, video demos, live chat and more.
- Get product updates and other valuable information Be among the first to find out about new robots, exclusive discounts and special promotions.

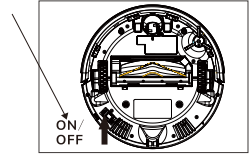
Connect with us right now at  
Facebook: [facebook.com/iliferobotics](https://facebook.com/iliferobotics)  
Twitter: [twitter.com/ILIFEROBOTICS](https://twitter.com/ILIFEROBOTICS)

Enjoy a thorough clean every day in your life!  
Best regards,  
ILIFE Innovation

## Important Tips

### How to use

- Before using the robot, please ensure the power switch is on. Take a few moments to check the area to be cleaned and remove any obstacles.
- The robot will pass over the same area of the floor repeatedly to ensure thoroughly clean.
- The spinning brushes may flick small granule (dog food, cat litter) here and there, but finally the robot will vacuum them all in.
- Before replacing side brushes, check and match "L" "R" mark on both side brushes and bottom of robot.
- When you set the clock time or schedule, the final operation will be confirmed by beep from robot. If no tone received, your setting is unsuccessful.
- Empty the dust bin. You could notice that robot vacuums less, even spits out when the dust bin is full, though there is no any warning beep sound.



### For Best Performance

- Empty V7s Plus's dustbin and clean its filter after every use.
- High performance filter could not be washed by water.
- Replace new filter when you notice V7s Plus suction gets weaker and pick up less than before.
- Put charging dock against the wall and remove obstacles about 1 meter on each side and about 2 meters forward.
- Fully charge the battery before each operation.

### Battery Life

To extend V7s Plus's battery life and keep its cleaning at peak performance:

- Charge the robot overnight before first time use.
- If the robot is not used for a long time, please turn off the power switch.
- Recharge the robot as soon as possible. Waiting several days to recharge may damage the battery.
- Use the robot frequently.

**Warning:** The product contains electronic parts. DO NOT submerge V7s Plus or spray it with water, clean with dry cloth only.

---

# Table of Contents

---

<b>Safety Instructions</b> .....	1
<b>Product Introduction</b> .....	2
Robot anatomy .....	2
Charging dock .....	3
Remote control .....	4
Light indications .....	4
Remote control operation .....	5
<b>Product Operating</b> .....	6
Charging operation .....	6
Switch on / Select / Sleep .....	7
Schedule clean .....	8
Cleaning modes .....	9
Wet mopping .....	10
<b>Product Maintenance</b> .....	11
Cleaning the brush and mop cloth .....	11
Cleaning the dustbin and filters .....	11
Cleaning cliff sensors and charging pins .....	12
Nose wheel clean up .....	12
<b>Trouble Shooting</b> .....	13
Error code sheet .....	13
<b>Product Specifications</b> .....	14
<b>Product Part List</b> .....	15
Main body and accessories .....	15
<b>Declaration of Compliance</b> .....	16

---

# Safety Instructions

---

**Before using this product, please read the following safety instructions and follow all normal safety precautions.**

- Before using this product, ensure the power switch is ON.
- If the product is not used for long time, please turn off the switch on bottom of the main body.

## WARNING

1. Only the certified technician may disassemble the product. Users are not allowed to disassemble or repair the product.
2. Only use the adapter provided by the factory. Using other un-matched adapter may cause electric shock, fire or product damage.
3. Do not touch the power cord, plug or adapter when your hands are wet.
4. Do not allow clothes or any part of your body to be drawn into the product's wheels.
5. Do not place this product close to cigarette, lighter, match or any flammables.
6. Clean the product after charging has stopped.
7. Do not over-bend the power cord or pressure the power cord with heavy or sharp objects.
8. Do not use this product outdoor.
9. Do not sit on top of this product or attach an object on the top of it.
10. Do not use this product in wet or moist environment (any environment with liquid).
11. Before use, check the floor environment (remove all the fragile objects and cords, clothings papers and drapes, etc that may get caught in the product).
12. Do not place this product where it could easily fall off (tables, chairs, etc).
13. Turn off the power switch when you don't need to use this product for a long time.
14. Before use, check whether adapter and outlet are properly connected.
15. To avoid tripping, inform all the people in the house when this product is working.
16. The product may not be able to pass through steps over 10mm.
17. Use this product in temperature from -10°to 40°(centigrade degree) and do not place this product in high-temperature environment.
18. The battery must be removed from the product before it is scrapped.
19. The product must be disconnected from the supply mains when removing the battery.
20. The battery is to be disposed of safety according to local regulations.

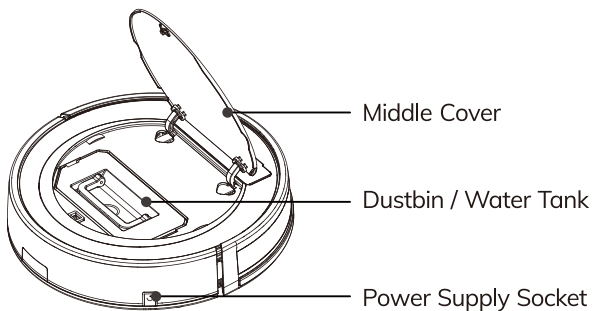
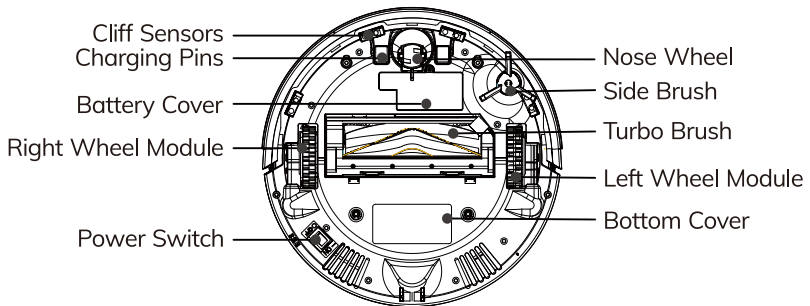
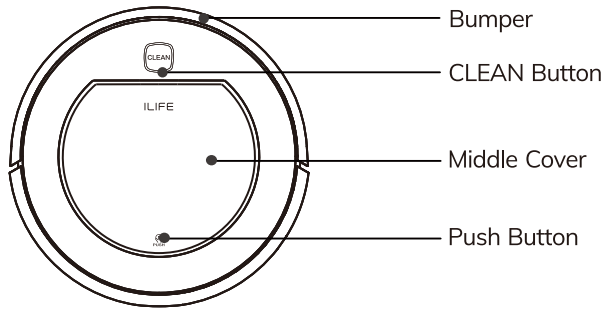
**NOTE:** This product could not be used by children, mentally challenged people or people lack of related experience and knowledge (Unless there people instruct or supervise them).

---

# Product Introduction

---

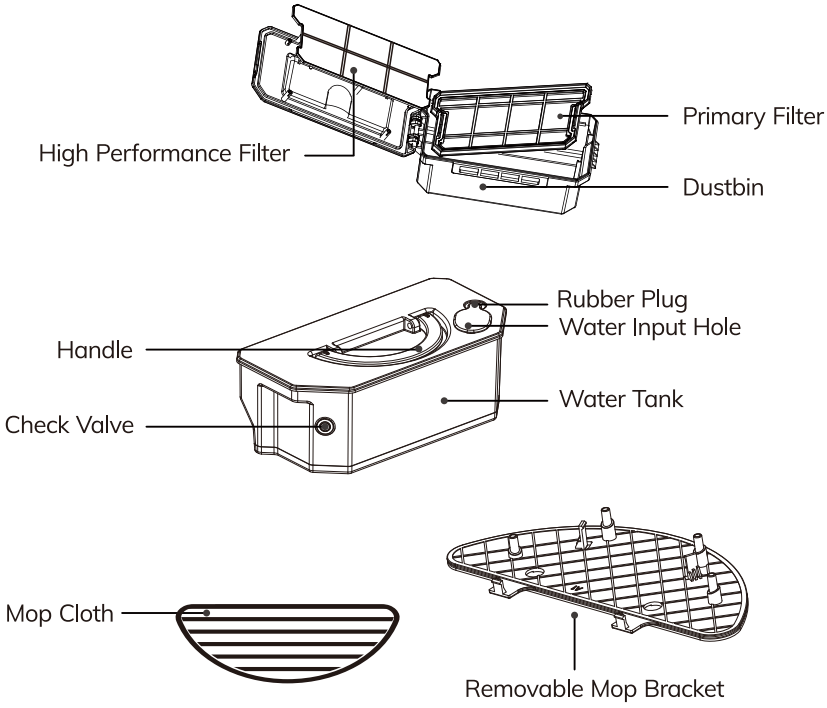
## Robot anatomy



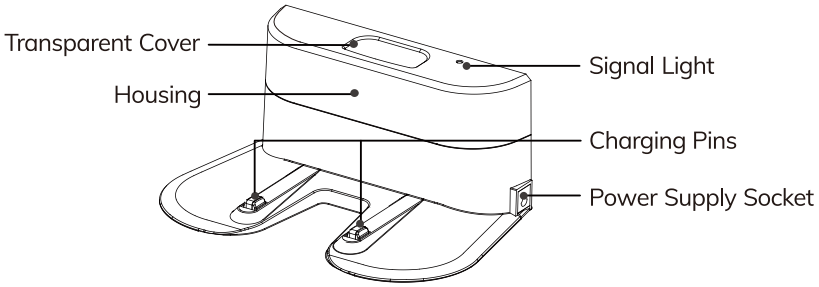
---

# Product Introduction

---



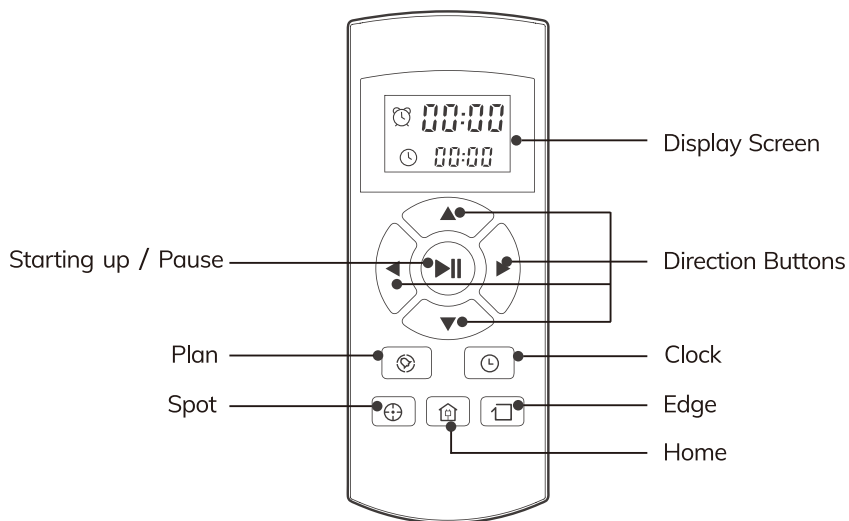
## Charging dock





# Product Introduction

## Remote control



## Light Indications

Robot status	Lights status
Charging	Orange lights flash
Charging finished	All lights turn off
In selected mode	Green lights flash
When robot in error	Red lights flash
Low battery	Orange lights turn solid
In cleaning mode	Green lights turn solid

---

# Product Introduction

---

## Remote control operating

### 1. “ ” Starting up / Pause

- Press this button to start cleaning in selected mode.
- Press this button to make the robot stop when it's cleaning.
- Press this button to exchange from sleeping mode to selected mode.

### 2. Directional Buttons

#### A. “ ” button:

- Press this button to increase number in scheduling or clock mode.
- Press this button to make robot move forward in selected mode and the robot will stop when it hits any objects.

#### B. “ ” button:

- Press this button to decrease number in scheduling or clock mode.
- Press to make robot move backward for little step in selected mode.

#### C. “ ” button:

- Press this button to exchange from minute to hour in scheduling or clock mode.
- Press this button to make robot turn left.

#### D. “ ” button:

- Press this button to exchange from hour to minute in scheduling or clock mode.
- Press this button to make robot turn right.

### 3. “ ” Plan

Press this button to enter scheduling mode when in selected mode.  
Press this button to confirm scheduling mode.

### 4. “ ” Clock

Press this button to enter clock mode when in selected mode.  
Press this button to confirm clock setting in clock mode.

### 5. “ ” Home

Press this button to return robot to charging dock.

### 6. “ ” Edge

Press this button to make robot clean along wall.

### 7. “ ” Spot

Press this button to make robot start spot cleaning.

### 8. “ 00:00 ” Shows the scheduling time.

### 9. “ 00:00 ” Shows the clock time.

#### Note:

1. Install two AAA type batteries into the remote control.
2. Take out the batteries if the remote control is not used for long time.

---

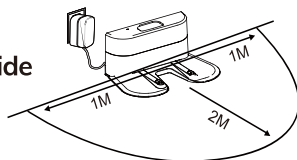
# Product Operating

---

## 1. Charging operation

- 1>. Put charging dock against the wall and remove obstacles about 1 meter on each side and about 2 meters forward.


Plug the adapter into the AC socket, and plug another end into the charging dock, the power light on charging dock will be ON.

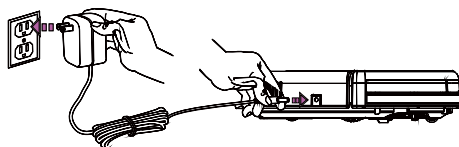


- 2>. Turn on the Power Switch on the bottom side of the robot, then light will turn solid.

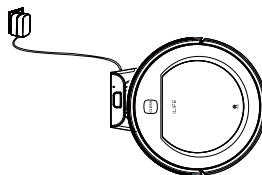
(If no command received, the robot will turn to SLEEPING mode after 15 seconds.)  
Caution: Before charging the robot, please make sure the power switch of the robot is turned on, otherwise the robot cannot be charged.

- 3>. Charge the robot in either way as shown below:

- A. Plug the adapter into the robot and outlet directly.  
B. Press on  button on the remote control to make robot return to charging dock for charging itself.



A



B

### For better extending battery life:

- A. Before first use, charge the robot for 12 hours. When charging is finished, all light will turn off.  
B. In normal use, always store the robot on charging dock with base powered by the adaptor.  
C. If the robot is not used for long time, turn off the power switch button, and store the robot in the dry place  
D. When the schedule clean is set, please does not charge the robot by the adaptor directly, please charge the robot through the charging dock.  
E. Always keep the auto charging pin clean.

## 4>. Auto charging

The robot will automatically return to charging dock when battery is low. Please put the charging dock in the wide place and against the wall. Guide the robot by the direction buttons on the remote control if needed.

---

# Product Operating

---

## 2. Switch on / Select / Sleep

**Sleep Mode:** The robot is switched on, the Light is off, the robot is in still status.

**Select Mode:** The robot is switched on, the Green color light flashes; the robot is in still status.

**Clean Mode:** The Robot is working, the Green color light turned on solid.

### 1>. Switch on

A. Make sure the power switch is on

B. Press CLEAN button on main body or on remote control to start cleaning.

**Note:** If robot is in sleeping mode, press CLEAN button to wake up the robot from sleeping mode.

Then press CLEAN again, the robot starts cleaning automatically.

### 2>. Select

To change robot from cleaning mode to selected mode, the robot will pause.

A. Press the CLEAN button on the robot body or on the remote control when the robot is in cleaning mode.

**Note:** When robot is in the select mode, press CLEAN button to make robot to re-start cleaning.

### 3>. Sleeping

To turn robot into sleeping mode from selected mode:

A. Keep pressing CLEAN on main body for 3 seconds.

B. Robot will automatically enter sleeping mode if no command received in 15 seconds.

---

# Product Operating

---



## 3. Schedule Clean

You can schedule to let the robot start cleaning from at a specific time.

Note: Remember to re-set the clock time and schedule once replace the battery of the remote control.



Once the clock time is set, any scheduling you have set will make robot work on the scheduled time.

### Setting the clock time

1. Point the remote control towards the robot (ensure the robot power switch is on).
2. Press  button and then use directional buttons to set the correct time.
3. Press  button again to save the setting. To cancel the schedule, Please turn off the robot.

### Setting a schedule

The robot will always work at the scheduled time unless power switch of the robot is turned off.

1. Point the remote towards the robot. (ensure the robot power switch is on).
2. Press  button and then use directional buttons to set the schedule time.
3. Press  button again to save the setting. To cancel the schedule, Please turn off the robot.

### Note:

When you set the clock time or schedule, the final operation will be confirmed by beep sound from robot; if no tone received, your setting is unsuccessful.

---

# Product Operating

---

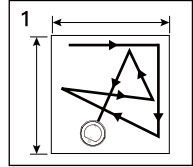
## 4. Cleaning modes

Four cleaning modes are provided to meet your needs.

### 1>. Auto cleaning mode

The robot will clean a room automatically and adjust its cleaning according to the situation.

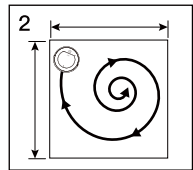
\* Press the CLEAN button on the robot body or on the remote control to enter into the cleaning mode



### 2>. Spot cleaning mode

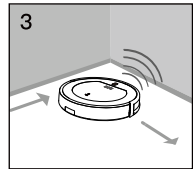
A. Press Spot on the remote toward the robot when the robot is working. The robot will circle around and turn into Auto Clean mode after Spot clean is finished.

B. Press Spot on the remote toward the robot when the robot is in selected mode and the robot will begin to circle around. The robot will turn into selected mode after Spot clean is finished.



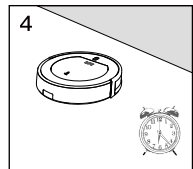
### 3>. Edge cleaning mode

Put the robot near to the wall, press the button to start the edge cleaning mode. Press the CLEAN button to stop the edge cleaning mode.



### 4>. Scheduling mode

When certain time is scheduled, the robot will leave the home base and start working in the scheduled time.



#### Note:

1. Remove the mop bracket and Mop cloth from the robot when the dry vacuum is needed.
2. Always make sure there is not blockage at the suction passage
3. Please do not use the dry vacuum function of robot on the wet floor , such as the bathroom
4. The timely cleaning of the filters and brushes will be important for the good cleaning performance.

---

# Product Operating

---

## 5. Wet Mopping



(draw 1)



(draw 2)



(draw 3)



(draw 4)

1. Dustbin is for dry clean and water tank is for wet clean.
2. The mop bracket with mop should be on the robot when the water tank is used.(draw 1)
3. Pouring the clean water into the water tank (draw 2)
4. Open the robot lid and put the water tank into the body, the weep hole of the water tank should be aligned with the weep hole on the robot body. (draw 3)
5. Close the robot lid, press "CLEAN" button to start the wet cleaning. There is vacuum suction function during the wet cleaning. (draw 4)
6. When the robot vacuum cleaner is stopped with water tank inside, or when the wet cleaning is completed, please take out the water tank and pour out the water, then store the water tank properly after the water tank is empty.
7. It is suggested to make the suction (dry clean) before wet mopping for a better cleaning result.
8. Please take out the water tank when you charge the robot vacuum cleaner.

---

# Product Maintenance

---

## Clean the brush and mop cloth

Clean side brush, turbo brush and cloth when they are dirty.  
Replace the brushes and cloth when they are damaged.

- Press turbo brush cover buckle at the bottom of the robot, remove it to clean.
- Hold bracket outward from robot. When installation, fix the bracket on the robot, with the four feet on bracket to the four round holes at the bottom of the robot, press down and can complete the installation.

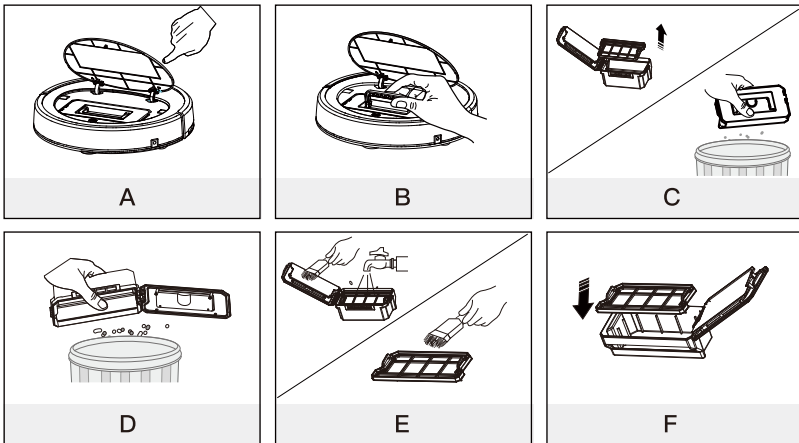
## Cleaning the dustbin and filters

**Note:** If you need to pick up the robot, please turn the robot face up to avoid dusts leaking out.

- Press PUSH mark to open the middle cover lid
- Take out the dustbin.
- You could open dustbin cover and remove the filters; or do not open the dust bin, dump the trash from dustbin sides.
- Dump the trash and clean the filters with cleaning tool.  
**Note:** Check if the suction passage on the robot is clean.
- Wash the dustbin and filters with clean water.
- Install the filters into dustbin and install the dustbin into robot.

**Note:**

- Ensure the filters are dry before install it into dustbin.
- Do not dry the filters in the sun. Do not squeeze the filters
- Dry the filters with cloth or in the air.
- Both high performance filter and primary filters are replaceable. It is suggested to clean the filters every 15~30 days, or depending on the actual situation.





---

# Product Maintenance

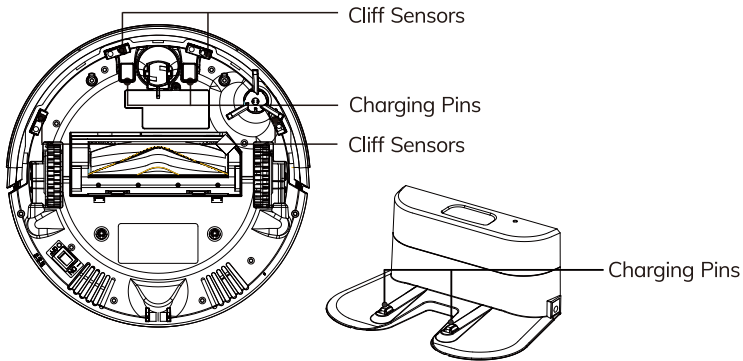
---

## Cleaning cliff sensors and charging pins

Slightly wipe the sensor window and auto charging pins with cleaning tool or a soft dry cloth.

**Note:**

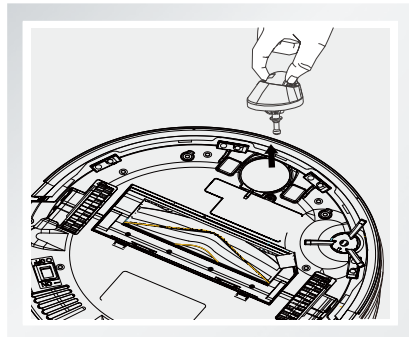
Charging pins on charging dock need to be cleaned if it is dirty.



## Nose wheel clean up

Make sure the nose wheel housing is not jammed by debris, otherwise the robot's cleaning performance will be affected.

1. Pull the wheel up vertically and clean it.  
Please note whether the gasket is off.



---

# Trouble Shooting

---

## Error code sheet

When the robot meets with some routine troubles, it will remind you by beep.

- Short tone

NO.	Tone	Cause	Solution
01	•	Wheels or side brushes issue	Check wheels or side brushes
02	••	Cliff sensor or bumper sensor failure	Clean cliff sensor and check bumper sensor
03	•••	Main body gets stuck	Move main body and start again
04	••••	Turbo brush no work	Check turbo brush
05	•••••	Lack of Dustbin	Check if the dustbin is put inside the robot, Check if the filter is put inside the dustbin.

### Note:

If all solutions above don't work, please take below actions.

1. Re-set the robot by re-turning on the power switch on the bottom side.
2. If re-set action doesn't work, please send the robot to seller for repairing.

## Product Specifications

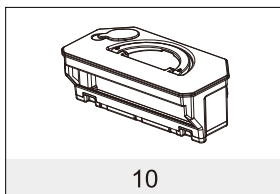
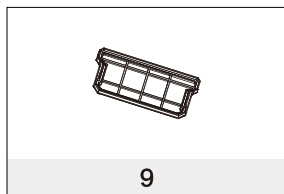
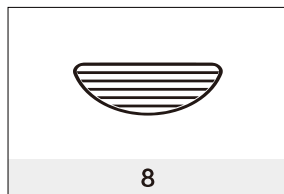
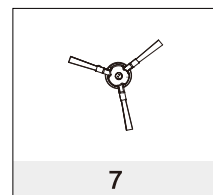
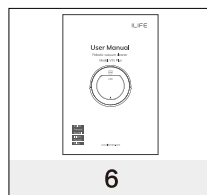
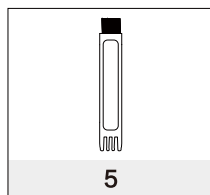
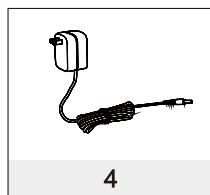
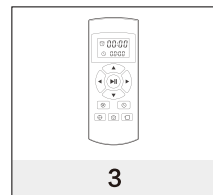
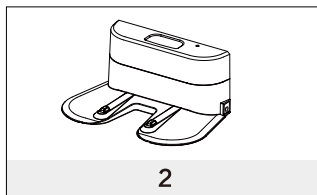
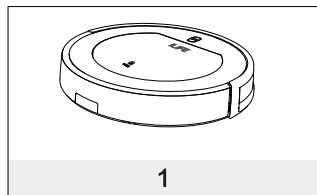
Classification	Item	Detail
<b>Mechanical Specifications</b>	Diameter	340mm
	Height	84mm
	Weight	3kg
<b>Electrical Specifications</b>	Power	22W
	Battery specifications	Li-ion
<b>Cleaning Specifications</b>	Capacity of dustbin	0.3L
	Capacity of water tank	0.3L
	Charging type	Auto Charging/ Manual Charging
	Cleaning mode	Auto, Spot, Edge, Daily, Schedule, Wet
	Charging time	300min at maximum
	Cleaning time	110-120 mins
<b>Main Body Button Type</b>		Touch button

**Note:** Product storage temperature: -10° to 40°(centigrade).

# Product Part List

## Main body and accessories

NO.	Description	Q'ty
1	Main Body	1
2	Charging Dock	1
3	Remote Control(battery not included)	1
4	Adapter	1
5	Cleaning Tool	1
6	User Manual	1
7	Extra Side Brush	1
8	Cloth	1
9	High Performance filter	2
10	Water Tank	1



---

# Declaration of compliance

---



The EU declaration of compliance can be provided if requested.

## Disposal

### Disposal of packaging



Dispose of the packaging according to type. Cardboard with waste paper, foil with recyclable material.

### Disposal of the robotic Hoover

Dispose of the robotic Hoover in compliance with the applying provisions in your country.



**Old devices may not go in the household waste!**

Should the robotic Hoover become no longer usable, each consumer is legally obligated to dispense of old devices separately from household waste, e.g. at a collection site within their community/ city district. This way it is guaranteed that old devices are utilised and negative impacts on the environment are avoided. For this reason electrical devices are designated with the symbol above.



**Batteries may not go in the household waste!**

As a consumer you are legally obligated, no matter whether they contain pollutants or not, to dispose of all batteries at a collection site within your community/ city district or in trade, so that they can be disposed of in an environmentally friendly way.

Dispose of the robotic Hoover completely (with the battery) and only in uncharged state at your collection site!

\* designated with: Cd = Cadmium, Hg = Mercury, Pb = Lead

