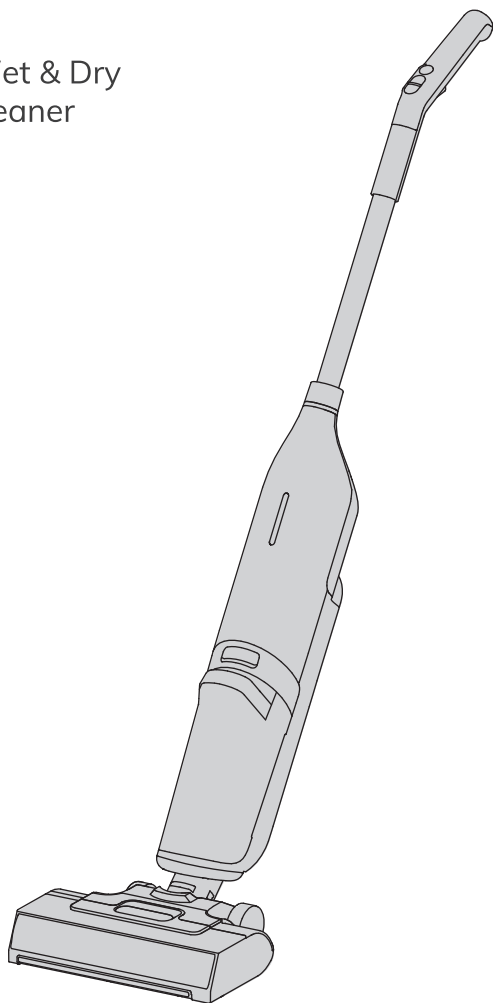


W90

User Manual

Cordless Wet & Dry
Vacuum Cleaner



English

Español

For more details, please
visit www.iliferobot.com

ILIFE

Dear Customer,

Thank you for purchasing ILIFE W90 Cordless Wet & Dry Vacuum Cleaner! You've joined the millions of people who clean with robots-the smarter way to get it done.

Please take a few moments to read this manual and get acquainted with your robot, to get the best performance from your robot. If you have any problems with your robot, please do not hesitate to contact our customer service or visit our website at www.iliferobot.com for more information.

Stay connected with us on Facebook and Twitter to enjoy these exclusive benefits:

- Get support tailored to your specific robot, including answers to questions, maintenance tips, video demos, live chat and more.
- Get product updates and other valuable information among the first to find out about new robots, exclusive discounts and special promotions.

Connect with us right now at
Facebook: facebook.com/iliferobotics
Twitter: twitter.com/ILIFEROBOTICS

Enjoy a thorough cleaning every day!
Best regards,
ILIFE Innovation

ILIFE Customer Service



1-800-631-9676 (Toll free for North America)

Mon-Fri: 8:00 A.M. - 7:00 P.M. CST



service_us_ca@iliferobot.com

Contents

1. Important Safety Instruction	1
2. Product Introduction	4
2.1 Main Body	4
2.2 Charging Base	5
2.3 Accessories	5
2.4 Status Display	5
3. Product Assembly	7
3.1 Handle Installation	7
3.2 Removal of Handle	7
4. Product Use	8
4.1 Add clean water to the clean water tank	8
4.2 Floor Washing	9
4.3 Charge	10
4.4 Self-cleaning	10
5. Regular Cleaning of Products	11
5.1 Clean-up of Waste Water Tank	11
5.2 Removal and clean-up of the sponge filter of the waste water tank	12
5.3 Clean-up of the Roller	13
6. Technical Specification	14
7. Troubleshooting	15

Safety Warnings

1. Product disassembly is strictly prohibited;
2. Before cleaning or maintaining the Product, please unplug the power adapter and turn off the power source;
3. To prevent potential electric shock risk, plz don't touch plug, power adapter or machine monitor when your hand is attached with water ;
4. Please only use the power adapter that comes with the product, if you use other power adapters, it may damage the machine;
5. If the power adapter is damaged, please stop using it immediately and contact the official after sale team for replacement;
6. The Product is not suitable for people with physical, sensory or mental disabilities or lack of common sense (including children), unless supervised or directed by others to ensure the safe use;
7. During operation, in case of electric leakage of the machine or excessive temperature and abnormal noise of the motor, such as the body overheating, abnormal noise, odor and other problems, please stop the machine immediately, and contact the Official After-sales Team for help;
8. Do not moisten the machine body; otherwise it may cause fire and electric shock due to short circuit;
9. Do not block the air inlet and outlet to avoid overheating of the machine;
10. Do not soak the floor brush with water to avoid overburning of the machine;
11. Do not shake or collide the machine violently to avoid dirty water flowing into the motor;
12. When handling the machine, please keep it upright to avoid sewage flowing into the motor;
13. If the clean water tank and dirty water tank are not installed in place, do not use the machine;
14. The Product is only suitable for use in the household environment, not in the industrial environment or outdoor environment;
15. The Product is suitable for the hard floor in the household environment, such as marble floor, wood floor, tile floor, solid wood floor and composite floor;
16. To avoid fire, do not use the Product to clean cigarette butts, matches and other unknown heat sources;

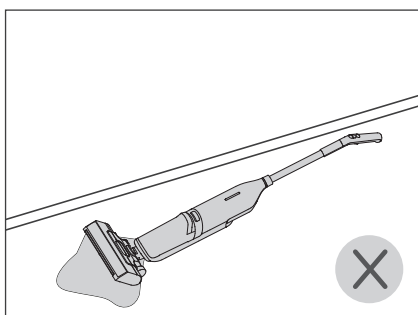
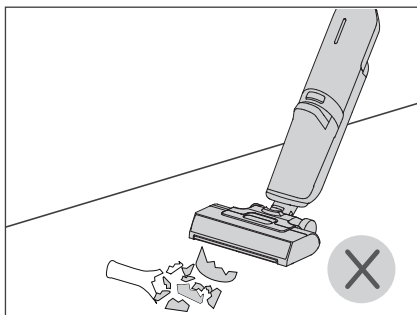
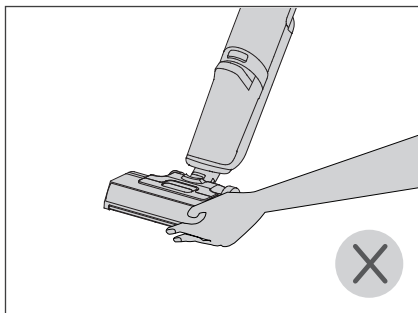
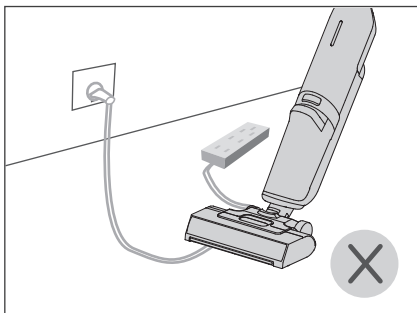
Important Safety Instruction

17. Do not use the Product to clean flammable, explosive or highly volatile liquids, such as gasoline, kerosene, paint and perfume, which may cause short circuit or explosion of the Product;
18. Do not use the Product to clean the toner or color blender used in the laser printer and copier to avoid fire or explosion;
19. Do not use the Product to clean sharp objects, such as glass fragments, thumbtacks, nails, clips, stones and other articles, so as to avoid damage to the Product;
20. Do not use the Product to clean pigment, paint, shoe polish and other strongly dyeing stains;
21. Do not use the Product to clean foam liquid to avoid damage to the motor;
22. Keep the cleaning solution out of the reach of children;
23. Please follow the instructions to use the cleaning solution;
24. Do not add alcohol to the clean water containers.

Important Safety Instruction

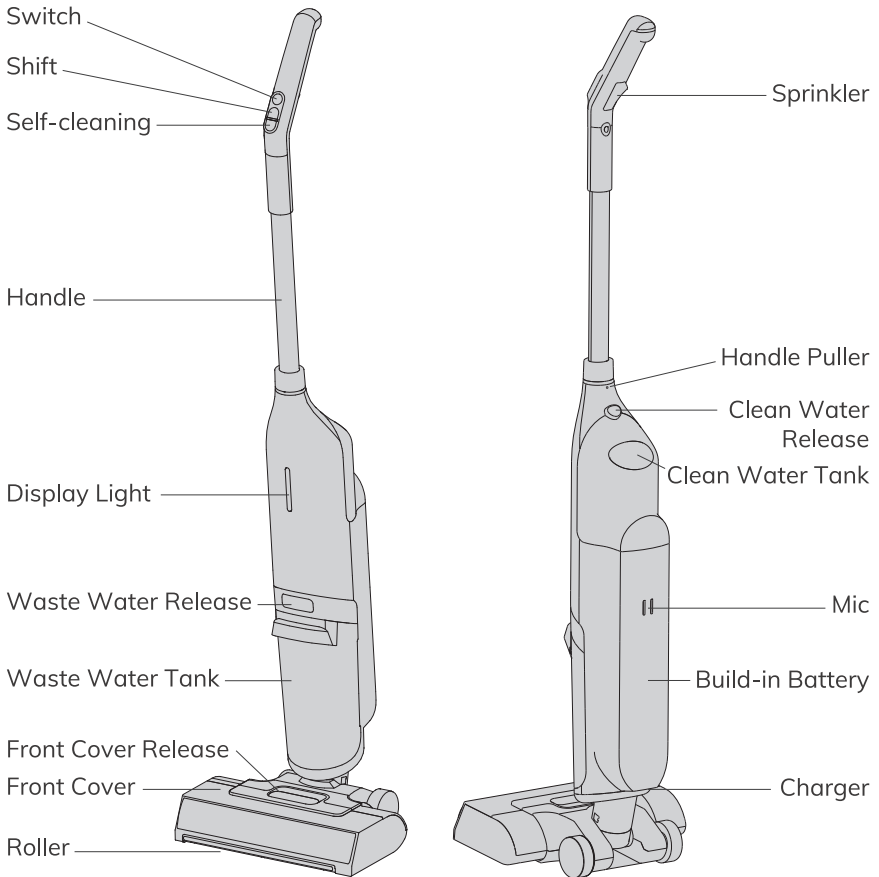


- To avoid electrocution, please do not press on the power cord while using the machine.
- Make sure any parts of the body or large objects such as clothes, etc. is far away from the roller.



Product Introduction

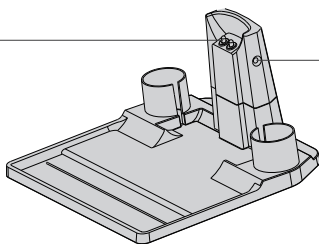
Main Body



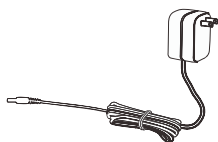
Charging Base

Charger Pin

Power Port



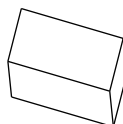
Accessories



Power Adapter

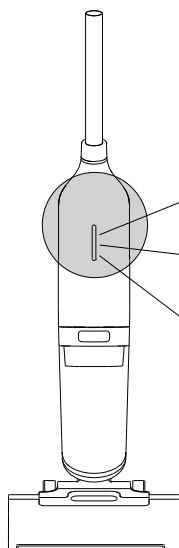


User Manual



Sponge Filter Screen

Status Display



Green

Solid – Fully Charged
Automatic
Powerful Mode
 $Q > 40\%$

Orange

Solid – $10\% < Q < 40\%$
Breathing – Charging

Red

Solid – Low Battery
Flashing – Abnormity
warning

Product Introduction

Status Display

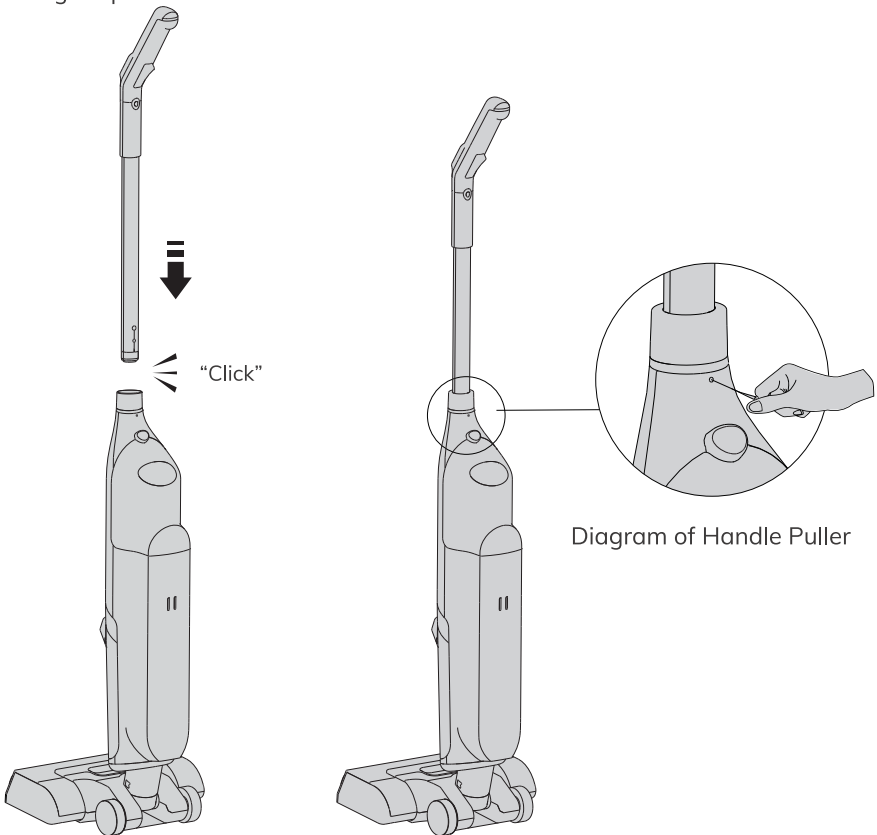
Status of Main Body	Status of Display Light
Low Battery	Red Light On
Fully Charged	Green Light On
Battery Over-Heating	It beeps, and the red light goes out after being on for 5 seconds.
Short-circuit Protection	It beeps, and the red light goes out after flashing for 5 seconds.
Charging	Orange light flashes slowly (breathing light effect)
Empty Clean Water Tank	Broadcast "Clean water shortage" twice
Full Waste Water Tank	Broadcast "Please empty the dirty water tank", and the red light goes out after flashing for 5 seconds
Abnormal Water Pump	It beeps, and the red light goes out after flashing for 15 seconds
Fan Trouble	It beeps, and the red light goes out after flashing for 10 seconds.
Roller Trouble	Broadcast "Please check the main brush", and the red light goes out after flashing for 5 seconds
Abnormal Charging	It beeps, and the red light goes out after being on for 10 seconds.
$Q > 40\%$	Green light
$10\% < Q < 40\%$	Orange light
$Q < 10\%$	Red light "Low battery"

Handle Installation

As shown in Figure 3-1, insert the handle into the corresponding top position of the main part, which includes buckles for positioning. You will hear a "click" after inserting. The completion of assembly is shown in Figure 3-2.

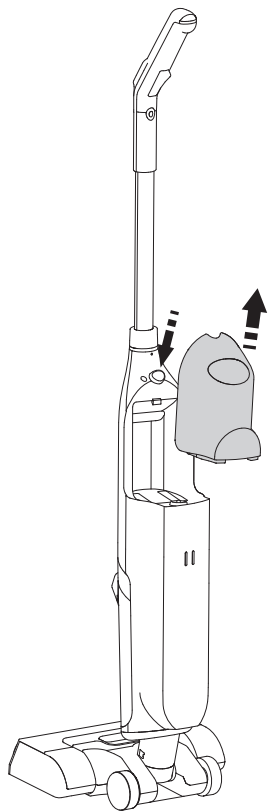
Removal of Handle

Poke a dull auxiliary tool (such as a bamboo stick) into the small hole as shown in the figure up to the handle puller button, then pull the handle straight up.



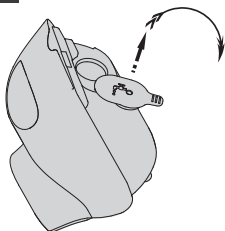
Add clean water to the clean water tank

1



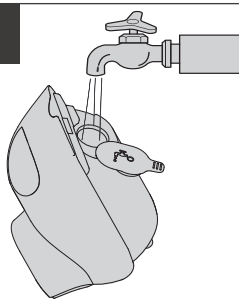
Press the button to take out the clean water tank.

2



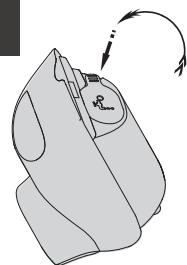
Open the soft rubber cover: lift and turn clockwise

3



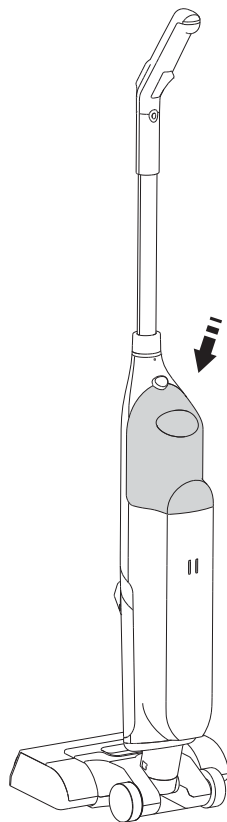
Add clean water, but do not exceed the MAX line.

4



Install the soft rubber cover: turn counterclockwise and then press down.

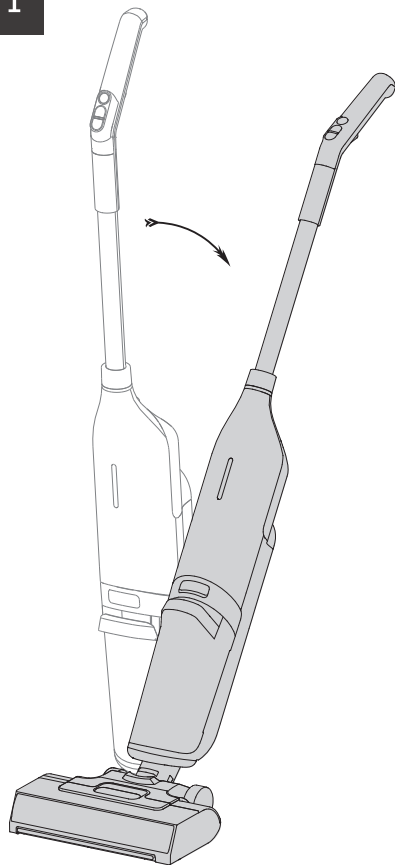
5



Put the clean water tank back onto the main part. The installation is complete after the "click" sound.

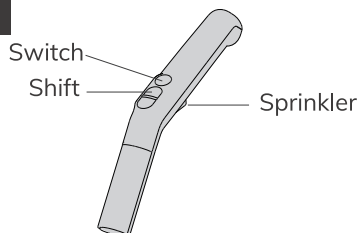
Floor Washing

1



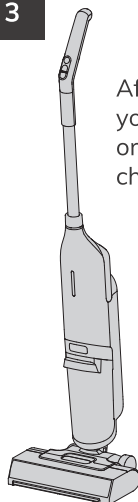
Please tilt the main part before pushing the switch button.

2



- Press the switch button. The power is on with the default setting to start the automatic mode.
- Press the switch button again to stop the machine;
- When the machine is running, press the shift button to switch between the "automatic/powerful" gears.
- Press and hold the sprinkler button to spray water, and release the button to stop the water spray.

3



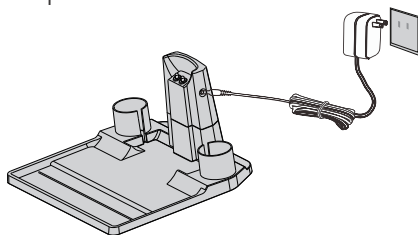
After using the machine, you can place it upright or put it back on the charging base.

Product Use

Charge

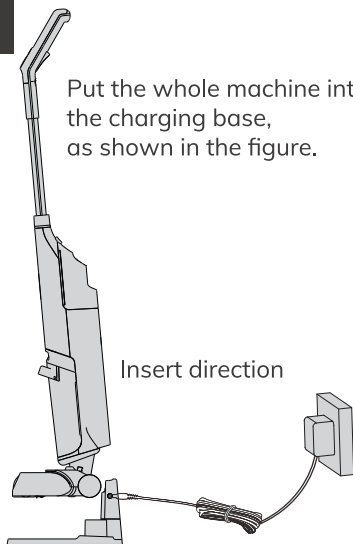
1

Connect the power adapter to the charging base, as shown in the figure and insert it into the power stripe.



2

Put the whole machine into the charging base, as shown in the figure.



At this point, the display light on the main part turns orange, and the machine enters the charging state. When the charging is completed, the green light is always on (5 minutes later the machine enters sleep mode).

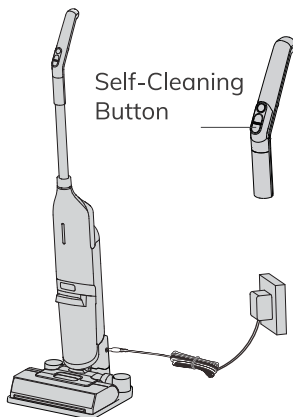
Self-cleaning

After cleaning the machine, put it back on the charging base. Please empty the waste water tank first, and ensure sufficient water inside. Press the self-cleaning button. The machine will enter the self-cleaning mode and stop automatically after one minute of cleaning and drying.

Warm tips:

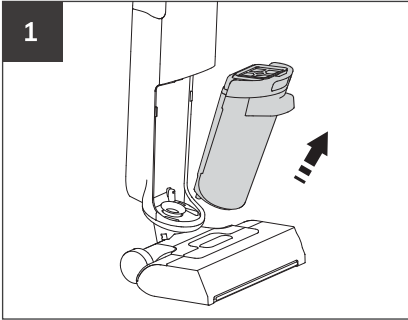
“Self-cleaning function” can only be selected while charging with a battery power higher than 10%.

Self-Cleaning Button



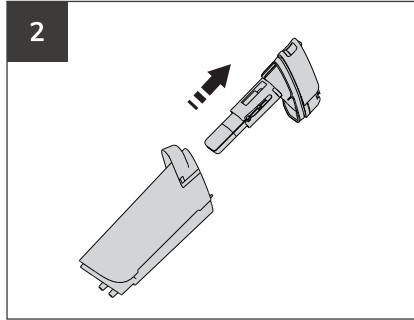
Clean-up of Waste Water Tank

1



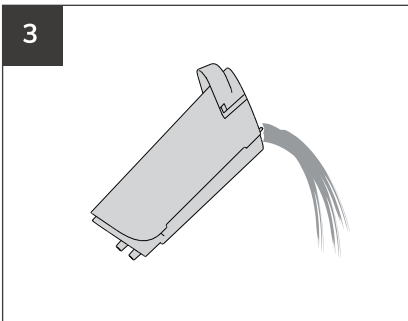
Press down the water tank button and take out the tank.

2



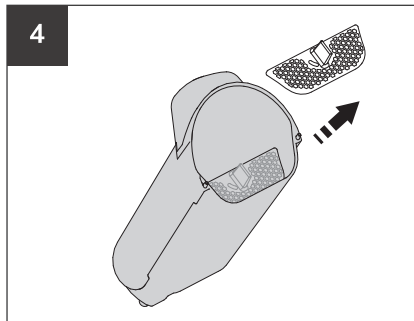
Take out the lid of the waste water tank.

3



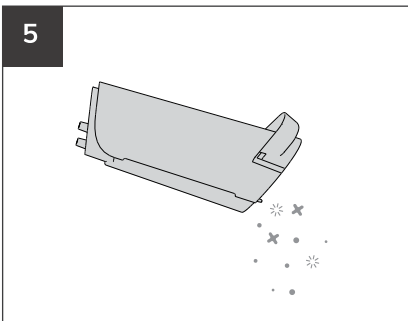
Pour the wastewater

4



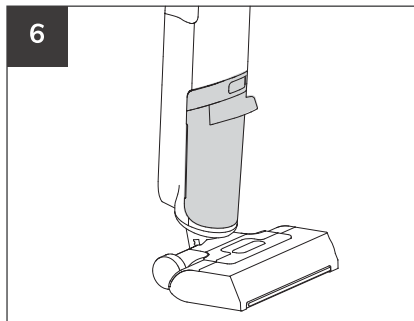
Take out the filter holder.

5



Take out the solid waste

6

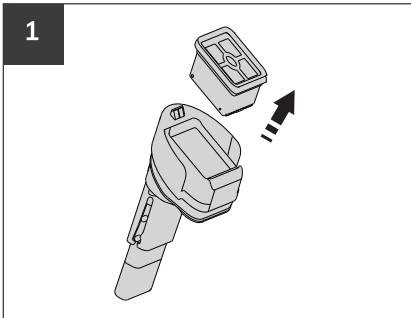


Install the water tank's lid, and put the wastewater tank back onto the machine. The installation is complete after a "click" sound

Regular Cleaning of Products

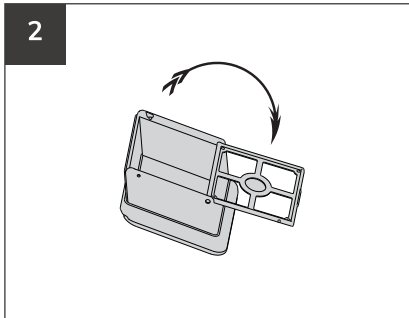
Removal and clean-up of the sponge filter of the waste water tank

1



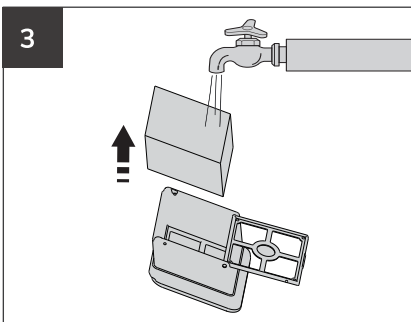
Take out the sponge filter assembly from the lid of the Waste Water Tank.

2



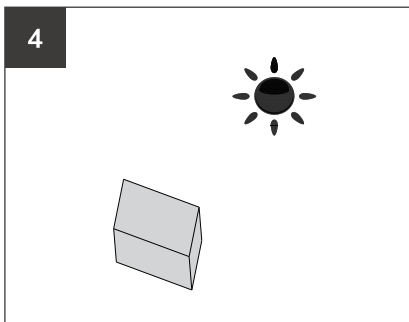
Open the lid of the holder.

3



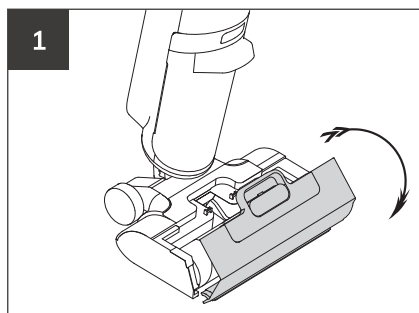
Take out the sponge filter, and wash the sponge filter and the holder together with water.

4

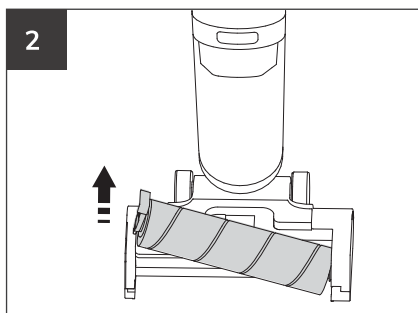


After washing the sponge filter, dry it, put it back onto the holder assembly, and then close the holder.

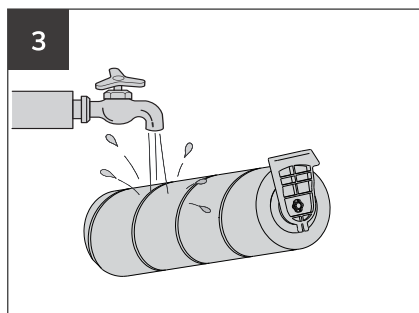
Clean-up of the Roller



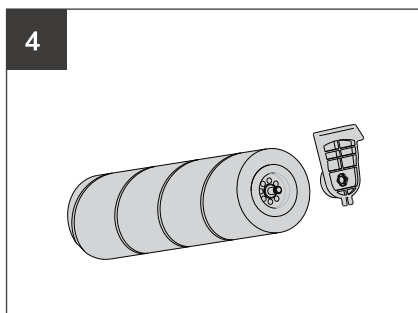
1 Pull the front cover button and take out the front cover.



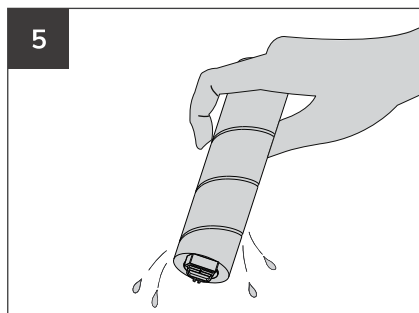
2 Pull up the roller handle to remove the roller.



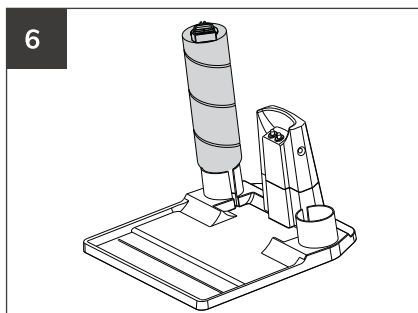
3 Wash the roller by hand.



4 Open the side cover of the roller to remove tangled hair.



5 Throw off the water on the surface.



6 The cleaning roller can be placed on both sides of the charging base for drying.

Technical Specification

Product:	ILIFE Cordless Wet & Dry Vacuum Cleaner
Model:	W90
Net Weight:	4.3kg
Gross Weight:	7.5kg
Waste Water Tank Capacity:	500ml
Clean Water Tank Capacity:	700ml
Product Size:	255(L)*280(W)*1193(H)mm
Outside Box Size:	870(L)*183(W)*328(H)mm
Rated Voltage:	DC 22.2V
Rated Power:	150W
Battery Capacity:	3000mAh
Adapter Parameters:	Input: AC100~240V 50/60HZ Output: DC28V/0.6A
Charging duration	~6.5h

When the Wet & dry vacuum cleaner does not work properly, please refer to the following information to handle the situation

Abnormal Situations	Reasons and Solutions
The machine does not work	<ol style="list-style-type: none"><li data-bbox="401 325 951 352">1. The battery is low. Please use it after charging.<li data-bbox="401 357 945 437">2. The air channel and the roller get blocked. Please clean up the foreign objects in time and restart the machine.<li data-bbox="401 442 915 469">3. The Waste Water Tank is full. Please clean!
Suction declines with abnormal sounds.	<ol style="list-style-type: none"><li data-bbox="401 515 923 595">1. The air channel and the roller get blocked by foreign objects. Please clean up in time and restart the machine.<li data-bbox="401 600 964 655">2. The Waste Water Tank is not properly installed. Please check the components and reinstall it.<li data-bbox="401 660 907 716">3. The sponge filter of the Waste Water Tank is dirty. Please clean!<li data-bbox="401 721 845 748">4. The battery is too low. Please charge!
The light is not on when charging.	<ol style="list-style-type: none"><li data-bbox="401 788 932 844">1. Check whether the power adapter is plugged in properly.<li data-bbox="401 849 899 904">2. The battery is fully charged and enters the sleep state.

